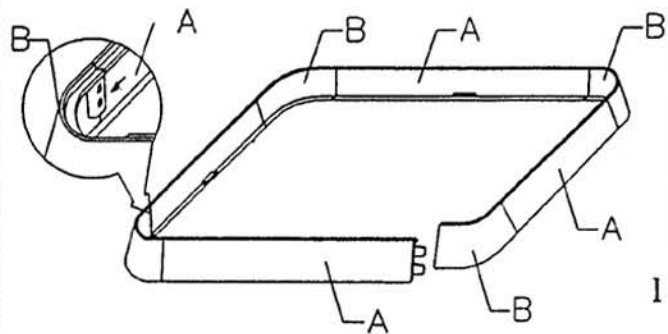
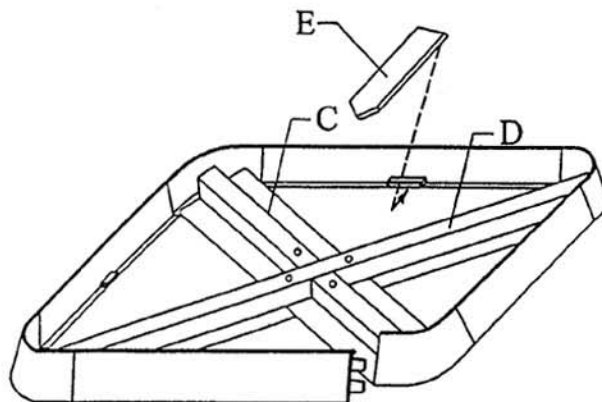


Instruction for water ballast base



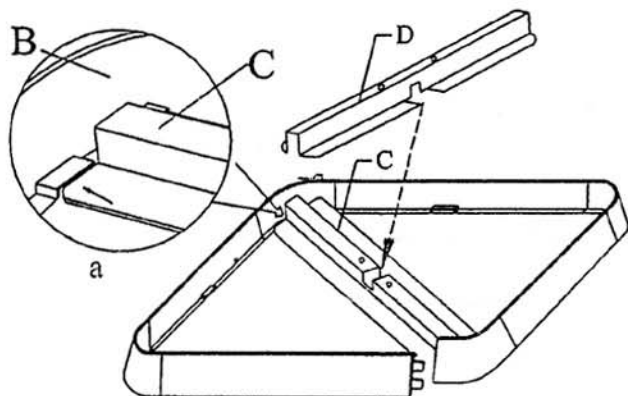
Insert side frame "A" into the corner connector "B", but leave one side of corner connector off.

I



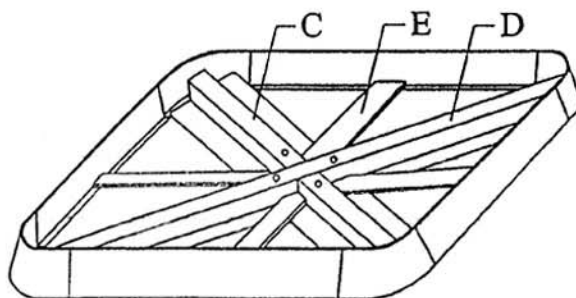
Insert flat end of base support flake "E" into the slot at the side of frame "A".

III



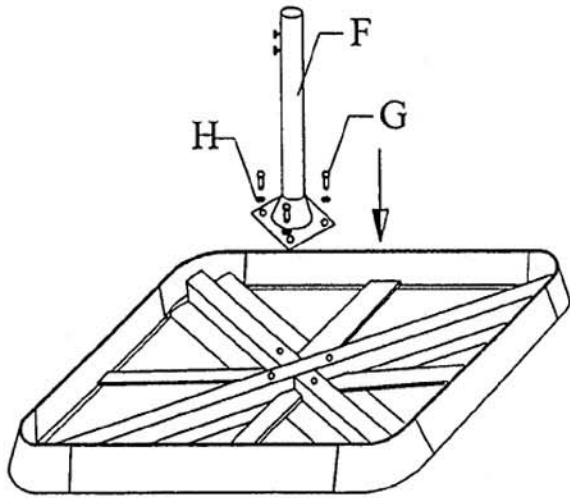
Insert each end of down cross leg "C" into corner connector "B" as per illustration (a). Then insert each end of up cross leg "D" into corner connector "B", putting "D" cross on "C".

II



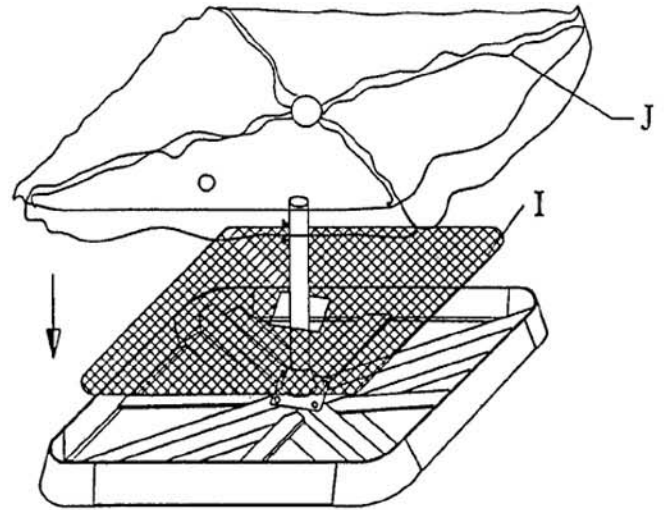
Put the corner connector together with frame "A".

IV



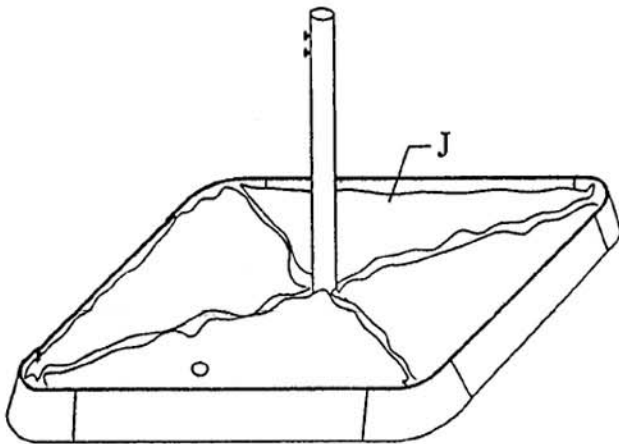
Place umbrella holder pole "F" on top of cross leg, line up the 4 hole in the cross leg with four holes where the screws were. Tighten them together.

V



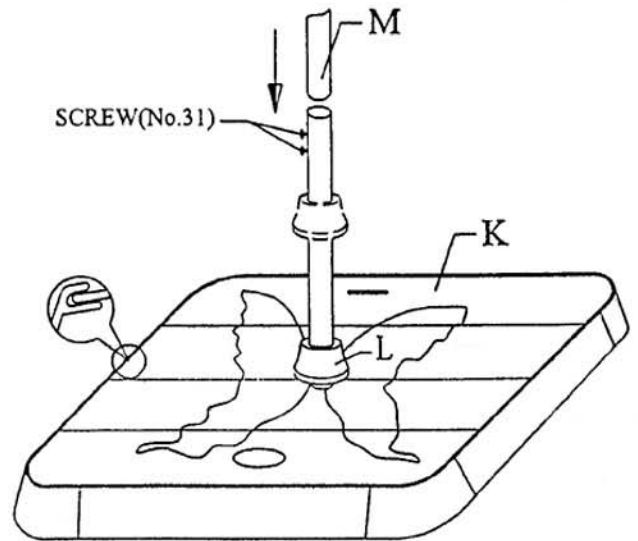
Put the plastic net on the bottom of base, then put water ballast in.

VI



Insert the water hose into water ballast, then fill up the water ballast with water,

VII



Put cover board on the base along with the slot on frame "A" and corner connector "B". Put in the support pole cup "L".

VIII

Customer Service

800-729-5033

404-505-5925 fax

customerservice@southernpatio.com