

PoolNaturally™

Employing nature's solutions for better water

PoolNaturally is easier on your skin, equipment and our environment.

Less chemicals.

Less work.

More fun.

You'll use:

- > Less chlorine
- > Less shock
- > Less algacide
- > Less stain remover
- > Less scale remover

Installation and Product Use Instructions
above ground and in ground pools
0-40,000 gallons (0-151,000 L)

Brought to you by:

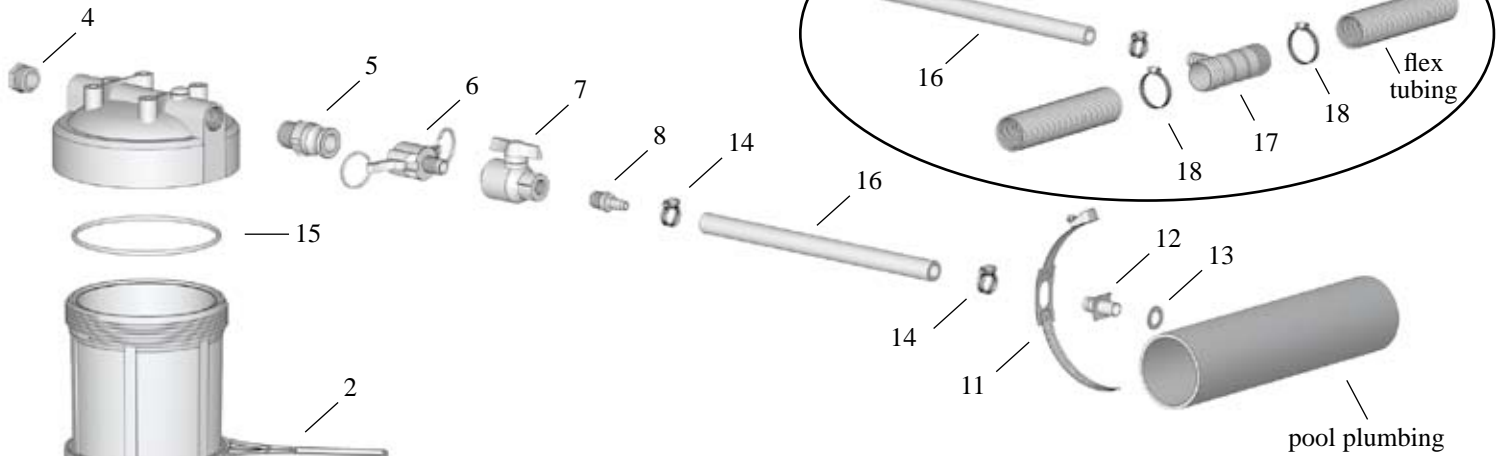
Creative Water Solutions, LLC
1864 Berkshire Lane North
Plymouth, MN 55441
www.cwsnaturally.com
877-212-6493



Convenient flow-through bags expose the moss and naturally help balance water chemistry. Simply change the refills once a month.

Pool Naturally™

Assembly and Use Instructions

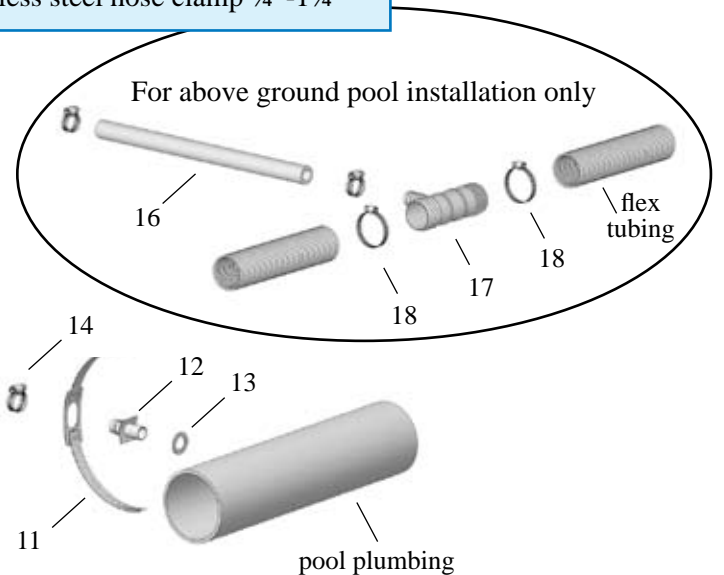


Parts Included:

#	Part quantity and name	#	Part quantity and name
1	10" or 20" dispenser	9	2 - 1/2" x 4" nipple
2	wrench	10	1 - 1/2" FPT 90 degree ell
3	base for dispenser	11	2 - saddle clamps
4	1 - 3/4" MPT plug	12	2 - saddle tubes
5	1 - Male Camlock Adapter x 3/4" MPT	13	2 - saddle gaskets
6	1 - Female Camlock Coupler x 1/2" MPT	14	4 - stainless steel hose clamp 3/8"-7/8"
7	2 - 1/2" FPT utility ball valve	15	1 - O-ring (on tank)
8	2 - 1/2" MPT x 1/2" hose barb adapter	16	6ft - 1/2" tubing

For above ground pool installation only:

- 17 1 1/4" x 1 1/4" x 1/2" insert tee
- 18 stainless steel hose clamp 3/4"-1 3/4"



Additional materials needed:

- Teflon tape for threads
- Screw driver
- Crescent wrench
- Drill and 1/16" bit
- Utility knife or tube cutter
- Lubricant for o-ring
- PoolNaturally refills

Assembly and Use Instructions

1. Verify all parts are included.
2. Read instructions completely before beginning.
3. Wrap Teflon tape 3 times around all threads.
4. CWS recommends replacing or cleaning pool filters or filter media before starting **PoolNaturally**.

Assembling the inflow

5. Screw in $\frac{3}{4}$ " MPT plug into outflow on dispenser tank cover (labeled OUT with an arrow pointing away from the dispenser tank). *Do not over tighten.*
6. Screw in Male Adapter x $\frac{3}{4}$ " MPT into the inflow on the dispenser tank cover (labeled IN with an arrow pointing to the dispenser tank). *Do not over tighten.*
7. Connect Female Coupler x $\frac{1}{2}$ " MPT, $\frac{1}{2}$ " FPT utility ball valve and $\frac{1}{2}$ " MPT x $\frac{1}{2}$ " hose barb adapter. Set aside.

Assembling the outflow

8. Connect $\frac{1}{2}$ " elbow and one $\frac{1}{2}$ " x 4" nipple. *Do not over tighten.*
9. Screw nipple-elbow assembly into the hole on the bottom of the dispenser tank. *Do not over tighten.*
10. Put the wrench on the tank from the bottom and slide up until snug.
11. Set tank in the base, with 90 degree ell facing one of the cutouts.
12. Gather the $\frac{1}{2}$ " x 4" nipple, $\frac{1}{2}$ " ball valve and $\frac{1}{2}$ " hose barb adapter and connect, in that order. *Do not over tighten.*
13. Screw the valve assembly onto the 90 degree ell. Make sure the valve handle is facing up or is in a position where it can be reached. *Do not over tighten.*

Connecting to pool plumbing

Before the next steps, be certain the pool equipment is off and valves (if any) are closed.

14. Inflow side: Locate a suitable spot at the circulation pump's 2" or 1.5" rigid PVC discharge pipe, **between the pump and filter**. Pick a location that will allow for the installation of the saddle clamp assembly.
15. Drill a $\frac{1}{2}$ " hole in the pipe, clean any rough edges and remove debris.
16. Place saddle gasket on the hole and insert saddle tube. Use saddle clamp to secure. *Do not over tighten.*
17. Outflow side: Locate a suitable spot at the pool circulation equipment's 2" or 1.5" rigid PVC discharge pipe, **between the filter and the heater; or after the heater. Do not install immediately after (downstream of) any Chlorine or Bromine or other chemical feeder.**
18. Drill a $\frac{1}{2}$ " hole in the pipe, clean any rough edges and remove debris.
19. Place saddle gasket on the hole and insert saddle tube. Use saddle clamp to secure. *Do not over tighten.*
20. Place tank in a suitable position and cut tubing into the appropriate lengths.
21. Slide clamps over the hose and attach to the hose barb adapters – inflow saddle assembly to female coupler assembly (from step 6) and outflow saddle assembly to tank outflow (out the base of the tank from step 12).
22. Verify o-ring is seated on top of dispensing tank. Lubricate as needed. **Add PoolNaturally refills using dosage chart on the following page.** Screw cover onto dispensing tank. *Do not over tighten.*
23. Connect female coupler assembly to male adapter on cover.
24. Open valves, turn the pool equipment back "ON." Verify the inflow and outflow valves at the dispenser are open. Check for leaks.
25. Press the red pressure relief valve button on the cover and hold until water flows out (after the tank fills). Close it by letting go.

For above ground pools

Use the enclosed insert T's and hose clamps in lieu of the saddle clamp assembly.



Using PoolNaturally

Refill Dispenser Monthly

1. To change **PoolNaturally** refills, close the inflow and outflow valves at the dispenser.
2. Disconnect female coupler from male adapter.
3. Remove cover from the dispenser tank. Use the wrench for leverage.
4. Remove old **PoolNaturally** refills and dispose.
5. Add new **PoolNaturally** refills according to dosage chart below.
6. Lubricate o-ring as needed.
7. Replace cover on dispenser tank. *Do not over tighten.*
8. Connect female coupler to male adapter.
9. Open inflow and outflow valves.
10. Press the red pressure relief valve button on the cover and hold until water flows out (after the tank fills). Close it by letting go.
11. Refill every 30 days. Write your day of the month to refill (1st of the month, for example) on the label on the base with a permanent marker as a reminder.

General Pool Maintenance – the PoolNaturally Way

After installing the **PoolNaturally** dispenser and adding refills according to the dosage chart below, find your new minimum amount of chemicals needed. To start, cut back on all chemicals used by 50%, always maintaining at least 1ppm of chlorine (or minimum of other sanitizer). Monitor water quality. Repeat as able, being sure to maintain minimum sanitizer levels. Check and clean filter/filter media regularly when starting **PoolNaturally**. As material is shed from the pipes and pool surface, it will collect on filters and needs to be removed.

During other Pool Maintenance

When backwashing, super-chlorinating or shocking, close the valves to the **PoolNaturally** dispenser. Reopen valves when finished or when chemical levels return to normal.

At the End of the Season (for cooler climates)

Take appropriate winterizing steps for the whole pool system. Completely empty water from the **PoolNaturally** dispenser and remove the refills.

PoolNaturally Dosage Chart

Pool Size	Number of refills
<i>Use Standard 10" dispenser for:</i>	<i>Standard size refills</i>
Less than 10,000 gal (38,000 L)	5
10,000-20,000 gal (38,000 – 76,000 L)	10
<i>Use Large 20" dispenser for:</i>	<i>Large size refills</i>
20,000-29,999 gal (76,000 – 131,999 L)	10
30,000-39,999 gal (132,000 – 150,999 L)	15
<i>Use Mega 2-20" dispensers for:</i>	<i>Large size refills</i>
40,000-49,999 gal (151,000 – 189,999 L)	20
50,000 gal (190,000 L) and up	25